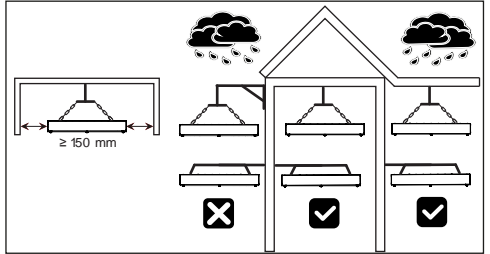
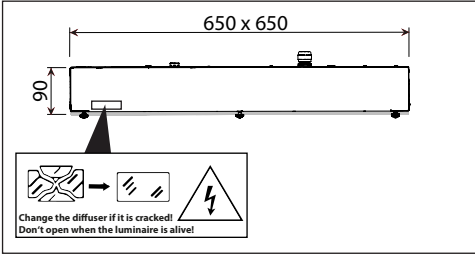


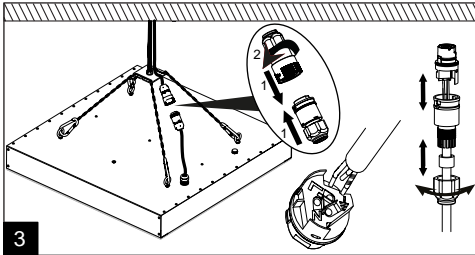
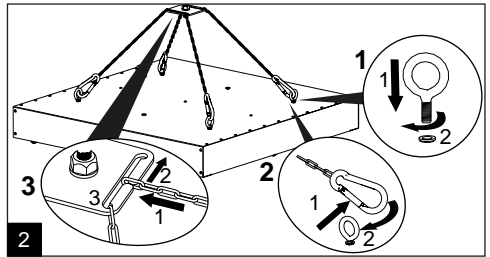
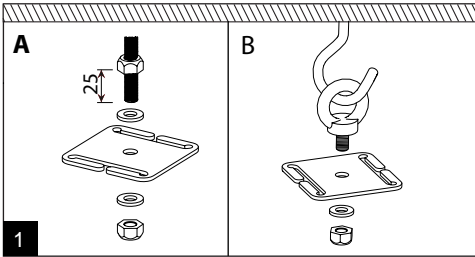
Nola Square

IP65

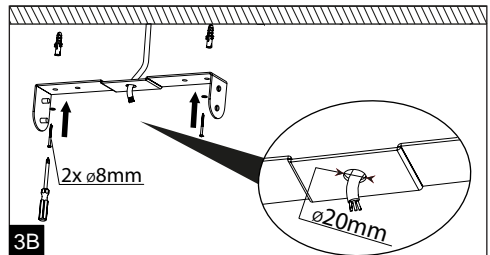
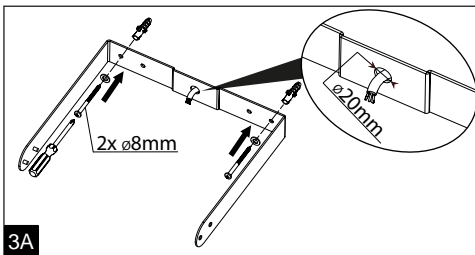
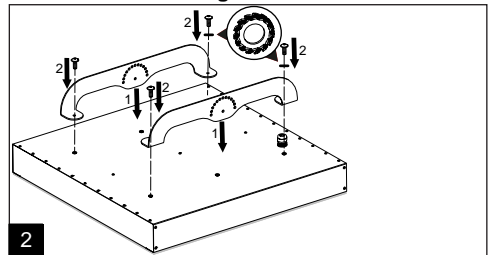
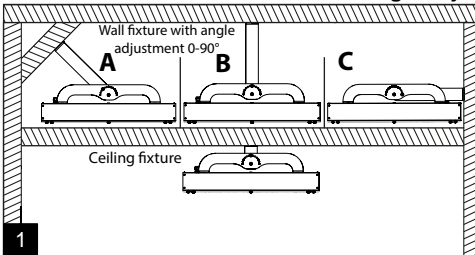
230V
50Hz



Chain suspension kit



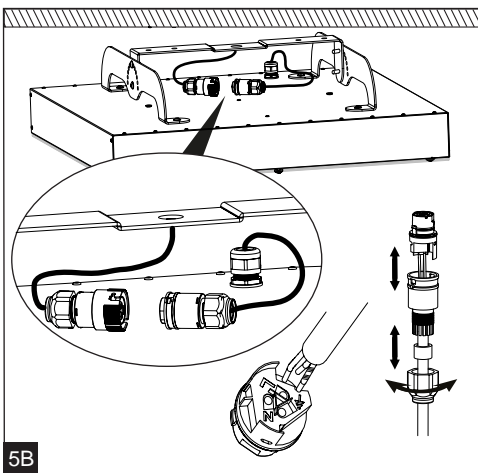
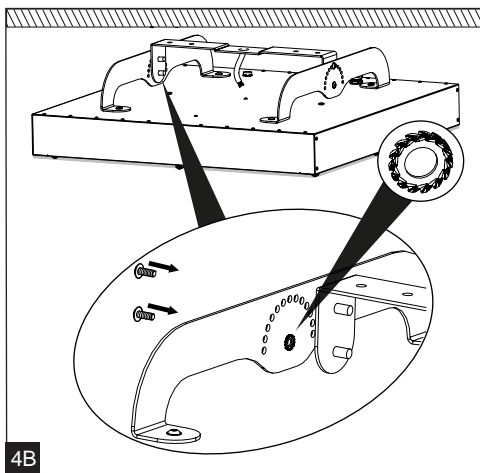
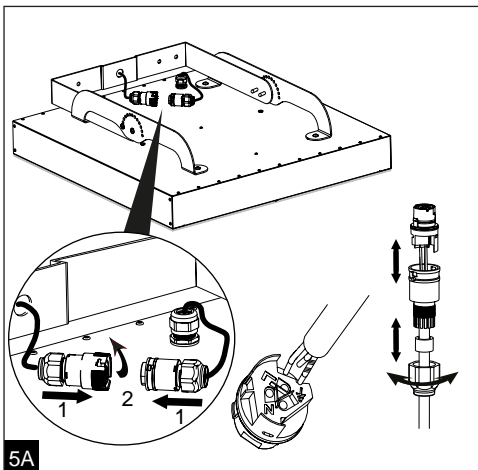
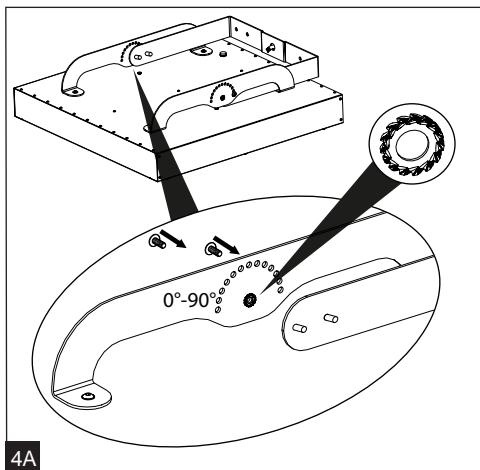
Wall fixture with angle adjustment 0-90° and ceiling fixture



Nola Square

IP65

230V
50Hz



Take care while fitting glass on rubber sealing for impacts on side of the glass and fast temperature changes. Properties of heat toughened glass and its susceptibility to breaking follow standard EN 12150-1. For areas where spontaneous fracture of glass means a higher safety risk and/or financial loss, we recommend usage of safety film (SF). Individual cases should be discussed with our technicians.

The light source in this luminaire may be replaced only by the manufacturer or its contractual service technician or a similarly qualified person!

Installation can only be carried out by an authorized person and according to the mounting instructions. Any other installation is considered to be improper. For well installation and good luminaire work is necessary ensure a planarity of a mounting surface. Make sure that the luminaire is always disconnected from the power supply before the installation work. Do not use the luminaire if damaged or if damaged the power cable. Only damp microfibre cloth can be used for cleaning. Technical changes are subjected without notice. Do not dispose the luminaire or its parts as household waste, but make the proper recycling.